

JUMP STARTER

BOOSTER

GK1202

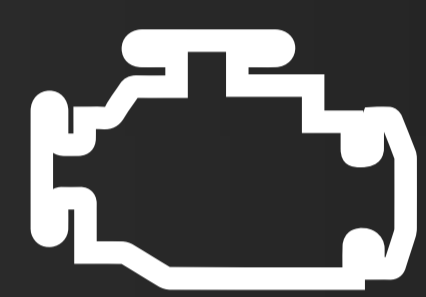


2000A

PEAK CURRENT

12V

MULTI-FUNCTIONAL JUMP STARTER



7.0L GASOLINE & 6.5L DIESEL

Designed for gas engines up to 7.0 liters and diesel engines up to 6.5 liters for small diesel cars, SUVs, boats, trucks, ATVs, motorcycles and more.



POWER BANK

This product has 3 output ports for multiple charging demands. Such as cellphone, tablet iPad, laptop, PSP, gamepad, car vacuum cleaner (with the provided cigarette lighter converter) and more.



SAFETY JUMP-START CLAMP

Multiple safe protection design

1. Reverse Connection Protection
2. Low Battery Protection
3. High Temperature Protection



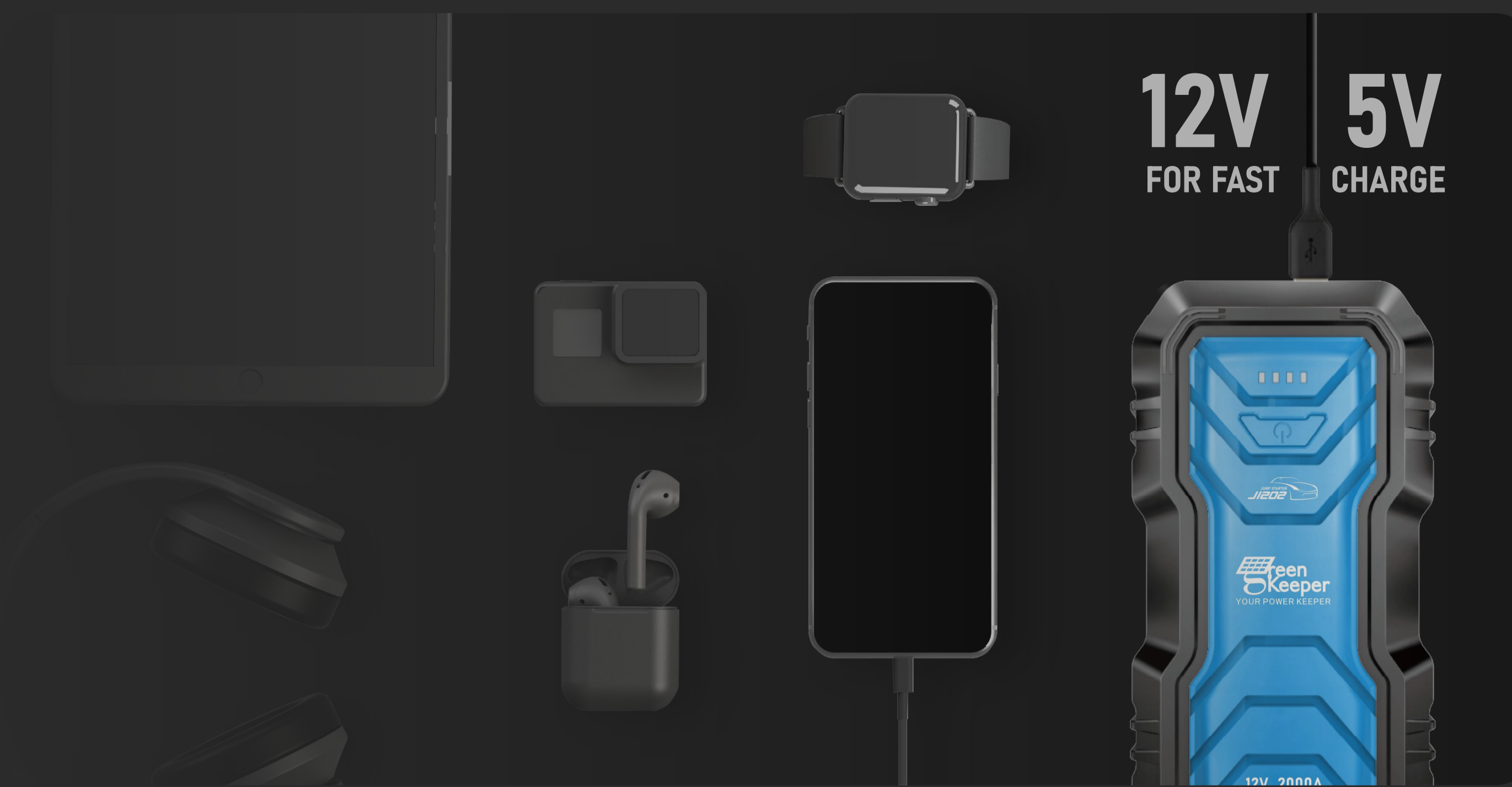
LED FLASHLIGHT

Long press the power button for 3 seconds to turn on turn off the flashlight.
Quick press the power button to switch 3 flashlight modes.



CHARGE DEVICES

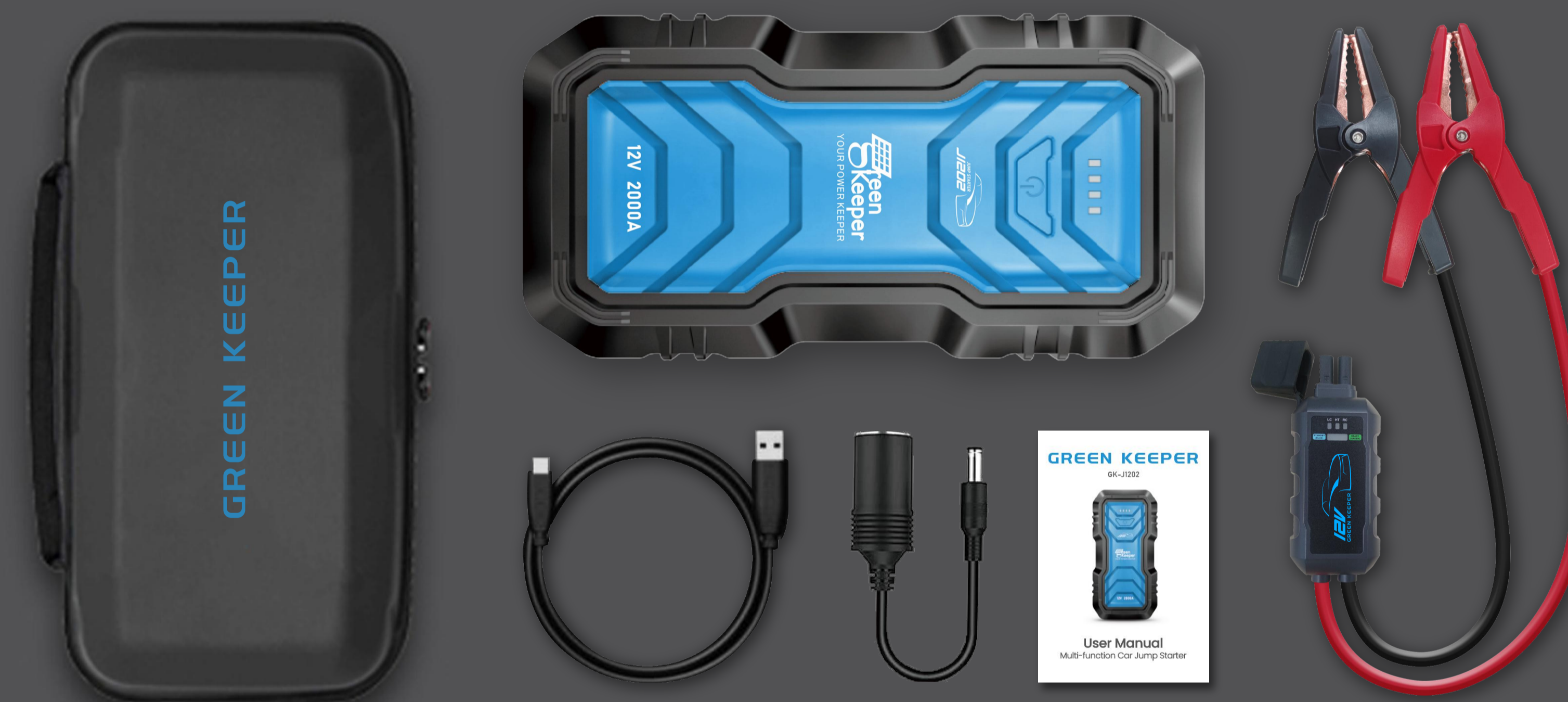
Power everything. With USB-C Power Delivery, you have the power to charge almost everything. Its internal power bank provides 60-wattsof power both in and out to effortlessly power our favorite USB-C devices, like phones, tablets, laptops, wearables, and more.



WHAT'S IN THE BOX

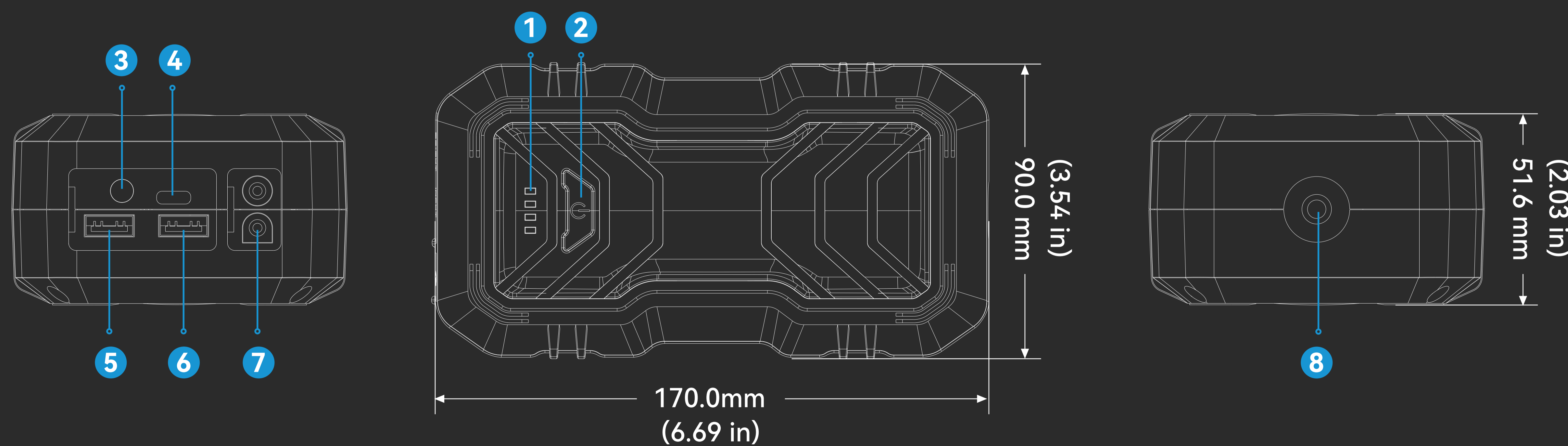
GK-J1202 JUMP STARTER

- STORAGE BAG X1
- PRODUCT X1
- CHARGING CABLE X1
- USER MANUAL X1
- EC5 JUMPER CABLE X1
- CIGARETTE LIGHTER ADAPTER X1



PRODOT DIAGRAM

- 1 Battery LED Indicator
- 2 Power Button/Flashlight Button
- 3 DC Output: 12V/6A
- 4 Type-C Input: QC18W(5V/3A,9V/2A,12V/1.5A)
- 5 USB1 Output: QC18W(5V/3A,9V/2A,12V/1.5A)
- 5 USB2 Output: 5V/2.1A
- 6 EC5 Port
- 8 LED Flashlight



RECHARGE TIME

10W	7.3H
18W	4.1H

TECHNICAL SPECIFICATIONS

INTERNAL BATTERY TYPE	LITHIUM ION
PEAK CURRENT	2000A
STARTING CURRENT	1000A
BATTERY CAPACITY	16000AMH(59.2WH)
OPERATING TEMPRATURE	"-4°F TO +140°F (-20°C TO +60°C)"
CHARGING TEMPRATURE	"32°F TO +122°F (0°C TO +50°C)"
USB-C PROTOCOL	QC3.0
USB-C (INPUT)	5V(5.0V/2A & 9V/2A & 12V/1.5A)
USB-A PROTOCOL	QC3.0
USB-A1(OUTPUT)	5V(5.0V/2.4A)
USB-A2 (OUTPUT)	5V(5.0V/3A & 9V/2A & 12V/1.5A)
DC PORT (OUTPUT)	12V-16.9V / MAX6A
WEIGHT	2.95 LBS (1.34 KG)
LED FLASHLIGHT	80 LUMEN
PRODUCT DIMENSIONS	170.0 X 90.0 X 51.6 MM (6.69 X 3.54 X 2.03 IN)

